

Quad Port DIN 3 Rail Mount Passive Power-Over-Ethernet Midspan/Injector with Integral Surge Protection - Model: BTD-CAT5-P4J

Applications

- Wireless LAN access points and bridges
- Wired switches
- IP surveillance cameras
- VoIP (Voice over Internet Protocol) telephones
- Wireless LAN WiFi amplifiers

Features

- DIN 3 rail mountable
- Low cost quad port Midspan/Injector
- Surge protection on all lines
- Industrial grade aluminum housing
- Available individually or in kits



Description

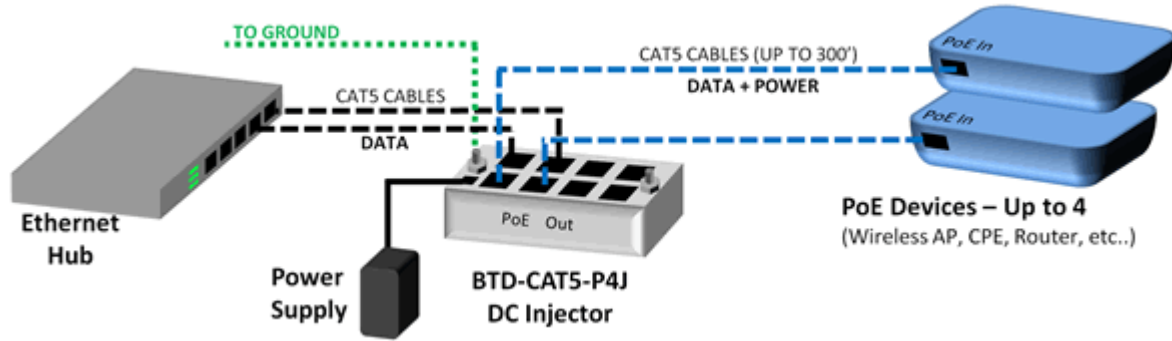
The BTD-CAT5-P4J Quad port passive Power-over-Ethernet (PoE) Midspan/Injector from L-com provides a low cost solution for adding PoE capability to existing network switches. The unit is ideal for supplying power for up to four Network Appliances like Wireless Access Points and Bridges, Wired Switches and Cameras and IP Telephones with PoE capability. The unit will work with Network Appliances that use the spare Ethernet data pairs to receive power according to 802.3af Mode B. Power is fed up the unused pairs, 4-5, 7-8. Power can be +/- DC or AC up to 55 volts.

Integral Medium Power Surge Protection

The BTD-CAT5-P4J features integral surge protection for the data lines and power feeds. The unit eliminates the need for an external surge protector. The unit provides protection for both common and differential mode surges. High-speed semiconductors clamp any voltage, positive or negative on the wires. The limits are +/- 58 volts on the four cable pairs. The design utilizes Thyristor diode technology which has superior power handling capability compared to TVS or Avalanche diode based designs. The BTD-CAT5-P4J can also be used as a standalone lightning surge protector. A ground lug and terminal is located directly on the injector housing providing superior grounding. The cast aluminum housing includes integral mounting feet for ease of installation.

This unit can be mounted to a DIN 3 rail using the DIN mounting clip located on the rear of the unit.





Specifications

Electrical Specifications

Ethernet Connectors	(8) RJ45 Jacks
Power Connector	2.5 x 5.5 x 10 mm DC Power Jack
Operating Voltage	+/- 55 Volts Max.
Maximum Current	1 A (per port)
Data Lines	Pair 1: Pins 1 and 2 Pair 2: Pins 3 and 6
CAT5 Power Pinout	Pins 4 & 5 Pins 7 & 8
Operating Temp	-40°C to +70°C (-40°F to +158°F)

Mechanical Specifications

Enclosure Material	Cast Aluminum
Grounding Lug	12 AWG Max.
DIN Mounting Clip	DIN 3 Rail
Operating Temperature	-40 C (-40 F) to +80 C (+176 F)
Weight	.40 lb. (.18 kg)
Dimensions (W x H x L)	4.5 x 2.5 x 1.5 in. (114.3 x 63.5 x 38.1mm)
RoHS Compliant	Yes

BTD-CAT5-P4J (Typical Each Port)

